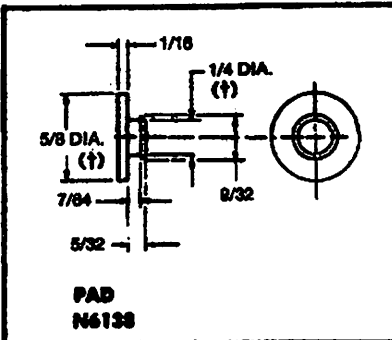
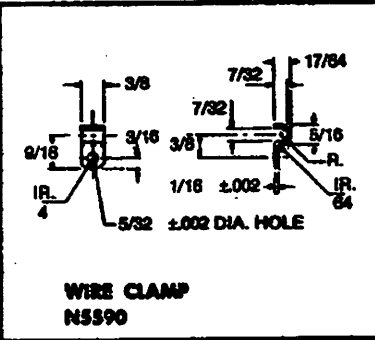


Miscellaneous Parts

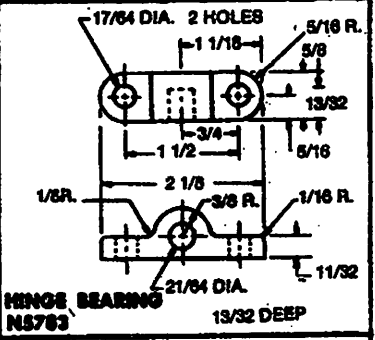
- Standard material is Dupont #101 Nylon.
- Prices subject to change without notice.



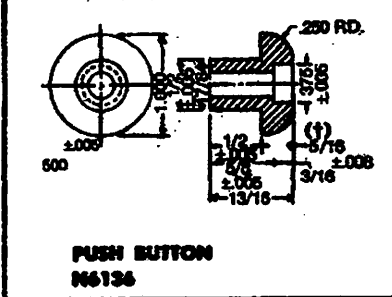
PAD
N6138



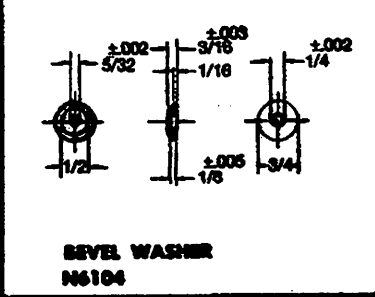
WIRE CLAMP
N5590



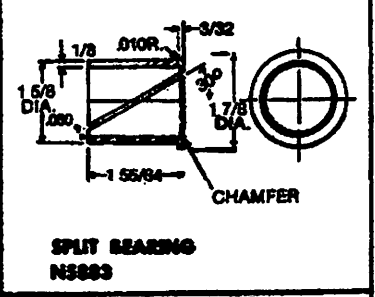
HINGE BEARING
N5763



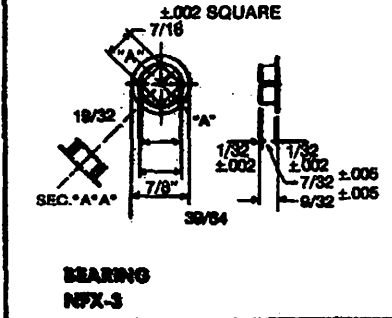
PUSH BUTTON
N6136



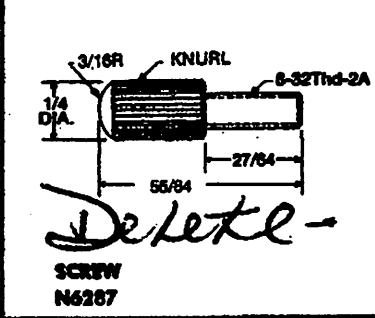
BEVEL WASHER
N6104



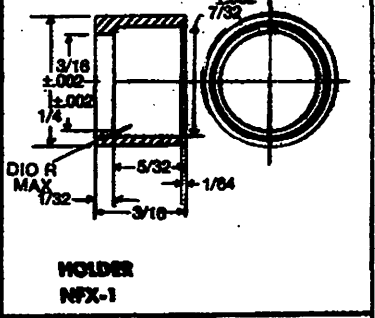
SPLIT BEARING
N5883



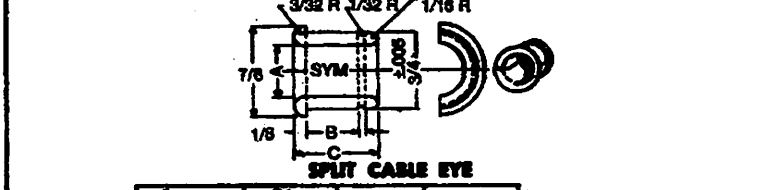
BEARING
NFX-3



SCREW
N6267

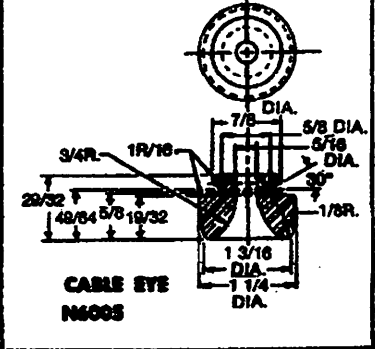


HOLDER
NFX-1



SPLIT CABLE EYE

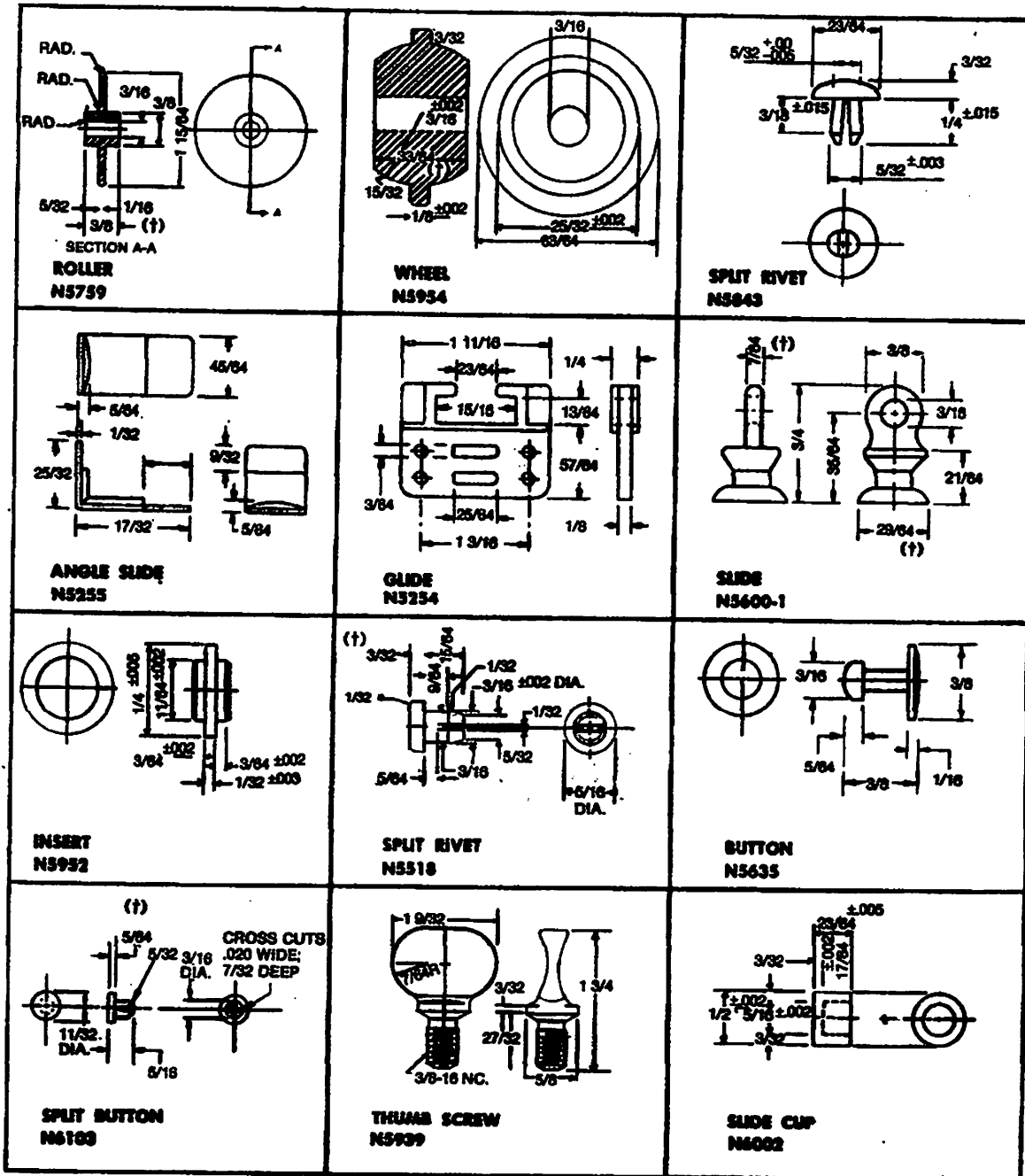
Part No.	Diam.	A	B	C
N5754	1/4	25/32	1 1/16	
N5755	1/2	3 1/64	13/16	



CABLE EYE
N6005

Miscellaneous Parts

- Standard material is Dupont #101 Nylon.
- Prices subject to change without notice.



Nylomatic

Miscellaneous Parts

- Standard material is Dupont #101 Nylon.
- Prices subject to change without notice.

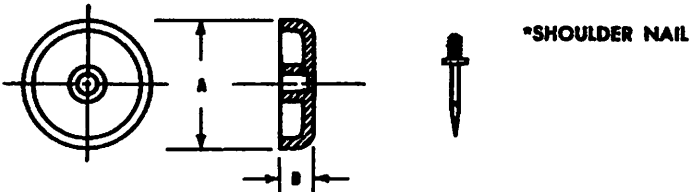
<p>BUTTON N6112</p>	<p>ROLLER N6238</p>	<p>PLUG N6437</p>	
<p>BRIDGE N170</p>	<p>RETAINING RING N1127</p>	<p>LICENSE PLATE NUT N8816</p>	
<p>HINGE BLOCK N5992</p>	<p>CLIP N6189</p>	<p>GUIDE N6064</p>	
	<p>BUTTON N130</p>	<p>BUTTON N180</p>	

Nylomatic

Miscellaneous Parts

- Standard material is Dupont #101 Nylon.
- Prices subject to change without notice.

**NYLON FLOOR SAVERS
FOR ALL WOOD FURNITURE**



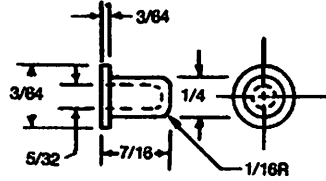
*SHOULDER NAIL

PART NO.	DIMENSION A	DIMENSION B	
N5020	3/4	3/16	
N5118	1	7/32	

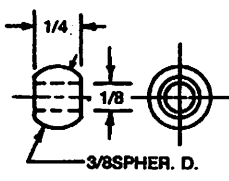
*Supplied with shoulder nail.

Drive shoulder nail into center of leg with hammer until collar touches wood.
Lightly tap FLOOR SAVER onto exposed pin.

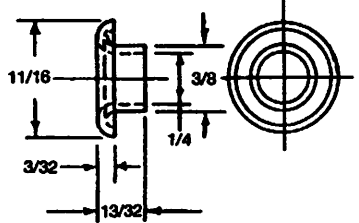
Made of durable, resilient Nylon to protect all types of floors.



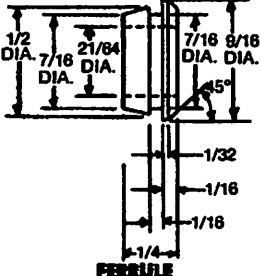
BUSHING
N5063



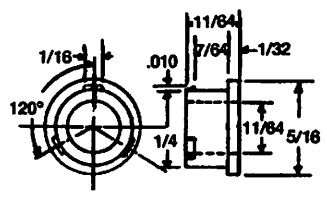
BEARING
N271



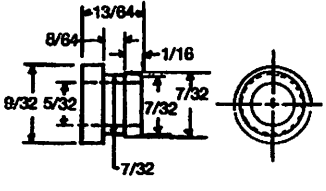
GROMMET
N2025



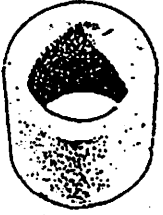
FERRULE
N6292



BUSHING
N6216



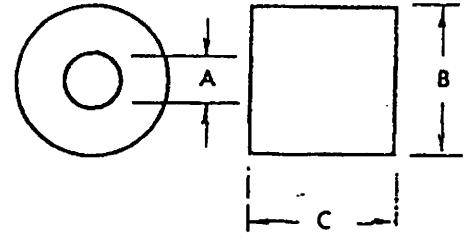
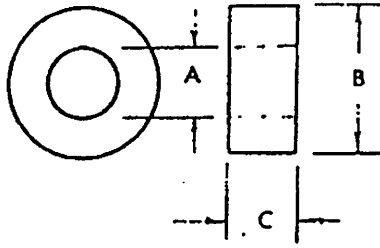
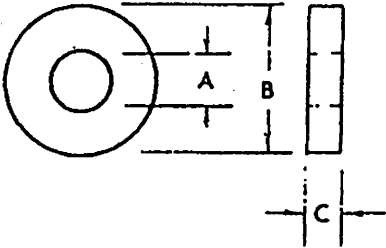
GUIDE BUSHING
N6028



nylomatic

PLAIN BEARINGS, WASHERS, STAND-OFFS

- \$35.00 set-up charge applies to each part ordered.
- Refer to page 5 for General Specifications.
- Standard material is Dupont #101 Nylon, natural color.
- All fractional sizes are Black Nylon.
- Apply for prices on quantities larger than 50M pieces.
- Prices subject to change without notice.



PART NO.	A HOLE	B O.D.	C LENGTH
N10-1/D153	5/8	3/4	3/4
N10-1A	5/8	13/16	13/16
N10-2	5/8	7/8	7/8
N5641	.630	1.000	.094
ND45	33/64	1-1/4	3/32
ND341	33/64	1.00	.125
ND174	.651	1-1/8	.127
ND42	39/64	1-3/32	1/8
ND35	.646	7/8	1/4
N6765	.757	1.001	.284
N5654	.675	.875	.094
N2115	.680	1.630	.125
N11-1	11/16	13/16	13/16
N11-2	11/16	15/16	15/16
N12-1	3/4	7/8	7/8
N12-1A	3/4	15/16	15/16
N12-2	3/4	1	
N2130	.759	1.000	.500
NC7784	.750	.875	5/8

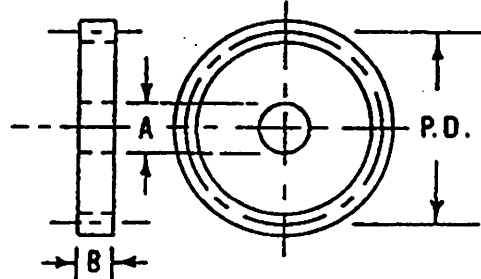
PART NO.	A HOLE	B O.D.	C LENGTH
N5655	.760	1.063	.094
N5658	.790	1.000	.094
N13-1	13/16	15/16	15/16
N13-2	13/16	1-1/16	1-1/16
N14-1	7/8	1	1
N14-1A	7/8	1-1/16	1-1/16
N14-2	7/8	1-1/8	1-1/8
N5656	.890	1.125	.094
N5659	.935	1.125	.094
N15-1-D-180	15/16	1-1/16	1-1/16
N15-1A	15/16	1-1/8	1-1/8
N15-2	15/16	1-3/16	1-3/16
N16-1A	1	1-3/16	1-3/16
N16-2	1	1-1/4	1-1/4
N5660	1.025	1.188	.094
N6162	1.290	2.140	.098
N5813	1.555	2.058	.120
N1106	1-5/8	3.170	.254

Gears

32 Pitch Spur Gears — PLAIN

- Standard material is Dupont #101 Nylon.
- Prices subject to change without notice.

32 Pitch

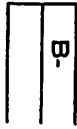
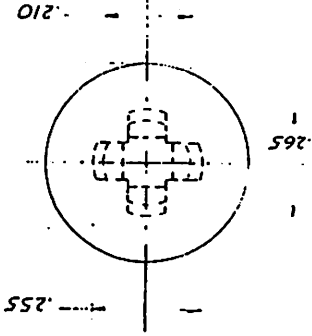
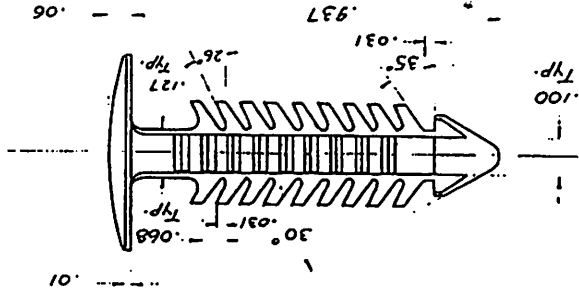
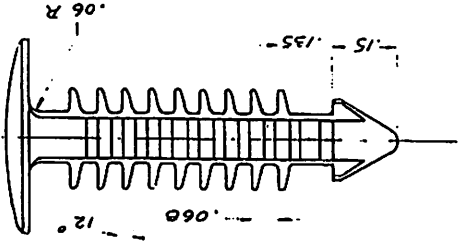


14½° PRESSURE ANGLE				
PART NO.	TEETH	P.D.	HOLE A	FACE B
N32-12	12	.375	.125	3/16
N32-14	14	.438	.125	3/16
N6097	14	.438	.127	3/16
N6548	14	.438	.188 sq.	3/16
N6692	14	.438	.187	3/16
N32-16	16	.500	.190	3/16
N32-18	18	.563	.190	3/16
N5521	18	.563	.283	.071
N32-20	20	.625	.190	3/16
N32-24	24	.750	.190	3/16
N5594	24	.750	.252	.177
N32-28	28	.875	.190	3/16
N811	28	.875	.075	.187
N32-32	32	1.000	.250	3/16
N32-36	36	1.125	.250	3/16
N5832	36	1.125	.313	.382
N32-38	38	1.188	.250	3/16
N32-40	40	1.250	.250	3/16
N32-44	44	1.375	.250	3/16
N32-48	48	1.500	.250	3/16
N2096	48	1.500	.500	3/16
N32-52	52	1.625	.250	3/16
N5404	56	1.750	.624	.192
N32-56	56	1.750	.250	.194
N32-62	62	1.938	.250	.198
N6186	62	1.938	.927	.250
20° PRESSURE ANGLE				
N1189	59	1.844	.621	.239

12A

TO GET	HAVING	RULE	FORMULA
Outside Diameter	THE PITCH DIAMETER AND THE NUMBER OF TEETH	DIVIDE THE NUMBER OF TEETH PLUS 2 BY THE QUOTIENT OF NUMBER OF TEETH DIVIDED BY THE PITCH DIAMETER	$OD = \frac{N + 2}{\frac{N}{PD}}$

DATE		REVISION DESCRIPTION		BY	CRD.	MATERIAL	
UNLESS OTHERWISE SHOWN ON DRAWING		TOLERANCES		FINISH		SCALE	
FRACT. & DEC. ANGLES &						CAT. NO.	
DRAWING NUMBER		N2674		DR. BY A.P.		B-	
REV				ENGINERING APPR.			
				CRD BY			
				DRAFTING APPR.			



THIS DRAWING IS THE PROPERTY OF THE CORPORATION. IT IS TO BE KEPT IN CONFIDENCE AND IS NOT TO BE REPRODUCED OR TRANSMITTED IN ANY FORM OR BY ANY MEANS, ELECTRONIC OR MECHANICAL, INCLUDING PHOTOCOPYING, RECORDING, OR BY ANY INFORMATION STORAGE AND RETRIEVAL SYSTEM, WITHOUT THE WRITTEN PERMISSION OF THE CORPORATION.

NATL

MATERIAL - Nylon 6/6

Super Tough Nylon

Acetal

